

# P830 SERIES



**P830M-528-N-R25 with Protective Frame**

## Description

- Double acting hydraulic/double acting pneumatic
- 50,000 PSI maximum hydraulic pressure
- Up to 0.2 GPM flow
- Four intensification ratios available

## Applications:



**Material Handling**



**Pressure Sustaining**



**Clamping**



**Portable Equipment**



**Hazardous Areas**



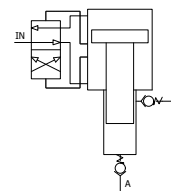
**Intermittent Operations**



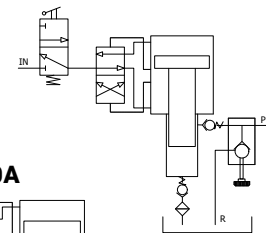
**Multi-Fluids**

## Schematics

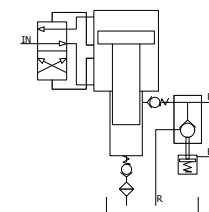
**P830**



**P830M**



**P830A**



**HYDRONIC WARRANTY POLICY:** Hydronic, Corp. warrants each product against defects in material and workmanship for a period of 6 months from the date of manufacturing providing its use was in accordance with Hydronic recommendations. If the product fails to perform as warranted, Hydronic will, at its option, repair or replace the product free of charge. The company will not be liable for incidental or consequential damages. We make no other warranty, expressed or implied, including warranties of merchant ability or fitness for a particular purpose.

# P830 SERIES

**P830M**  
2 1/2 gallon tank with manual release valve & custom frame



## Features:

- Four ratios available with reservoirs
- High performance, double acting pneumatic drive section
- Ultra-high pressure at medium to low flows
- Air operation means intrinsically safe in hazardous areas
- Available with or without a reservoir
- Six reservoir sizes available: 3/4, 1 1/2, 2 1/2, 3, 5, and 8 gallon tanks
- Release valves are available for manual operations or with an air pilot signal for automated operations
- High pressure parallel threaded ports for pressure connection
- Available with pressure switches and transducers
- Complete power units with release valves, reservoirs, air regulators, protective frames, and gauges are available as well as custom configurations

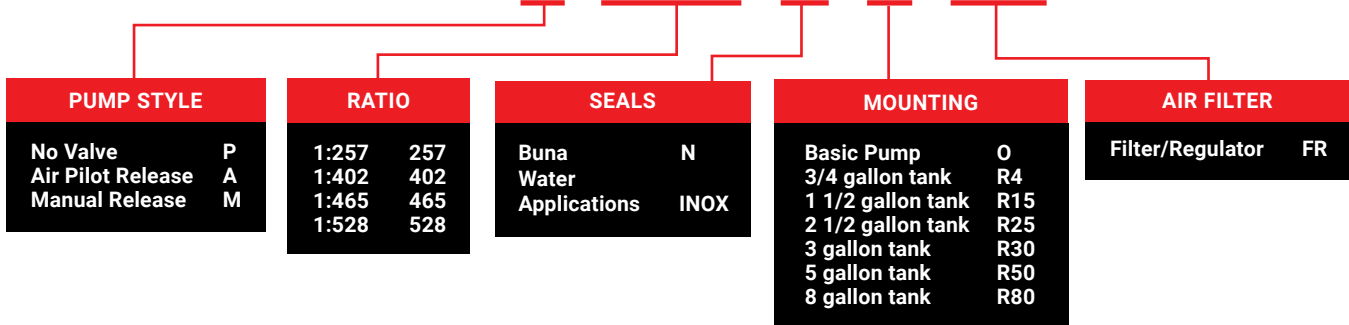
P830 Series   P830-257   P830-402   P830-465   P830-582

Air Pressure PSI (Bar)	30-100 PSI (2 - 7)			
Nominal Pressure Ratio	1:257	1:402	1:465	1:582
Max Oil Pressure PSI (Bar)	24,100 PSI (1,661)	38,000 PSI (2,620)	43,600 PSI (3,006)	50,000 PSI (3,447)
Flow CI/Min	49 CI/MIN	31 CI/MIN	26 CI/MIN	17 CI/MIN
Weight: Lbs (Kg)	31 LBS (14)			

**NOTE:** Always fit an air filter/regulator with 20 micron rating and 30 scfm capacity.

## Ordering Information:

# P830P-402-N-O-FR

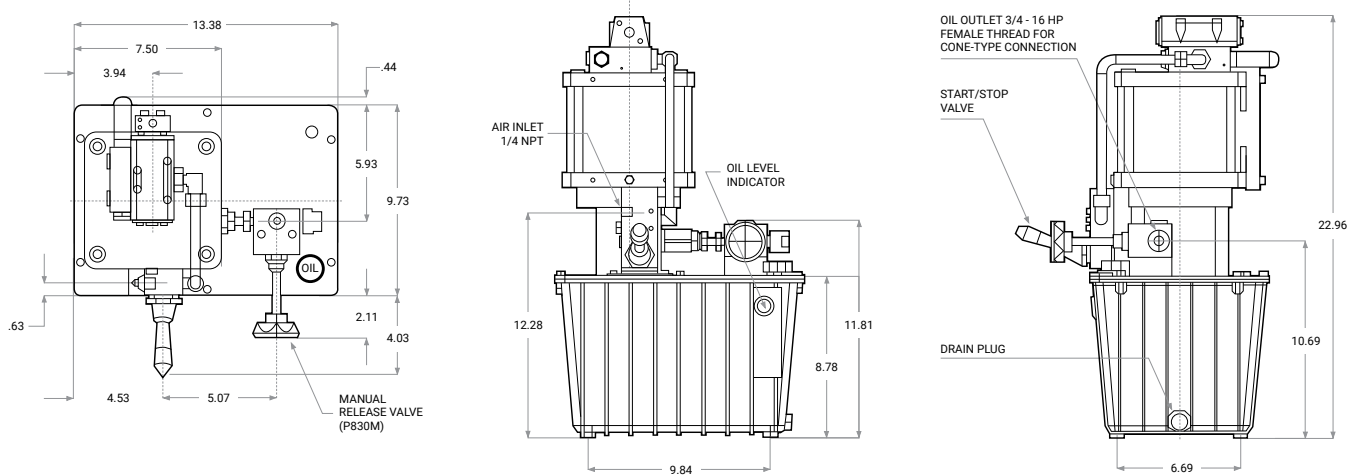


**Example Order:** P830P-10-N-O-FR = P830 pump without valve, a 1:10 ratio, Buna seals, a basic pump, and an air filter/regulator.

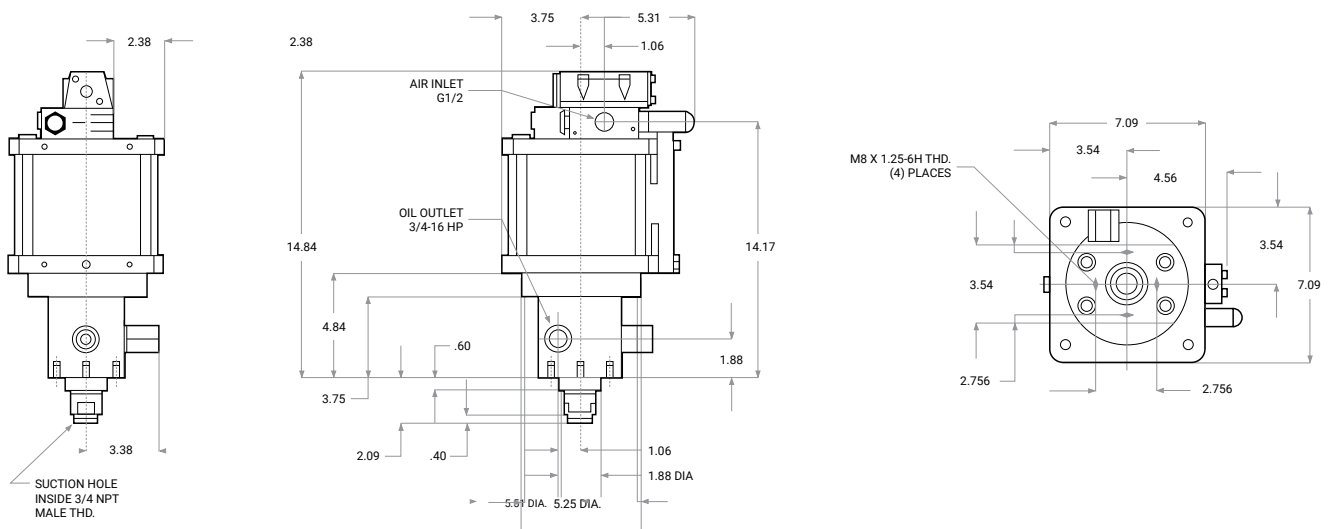
# P830 SERIES

## Dimensional Data:

### Pump Dimensions with Manual Release Valve 2 1/2 Gallon Tank (Type R25)

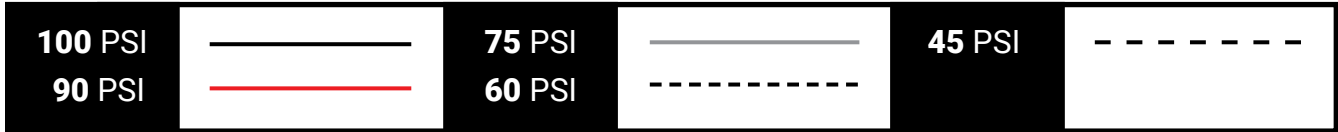


### Pump Dimensions for P830P with No Reservoir

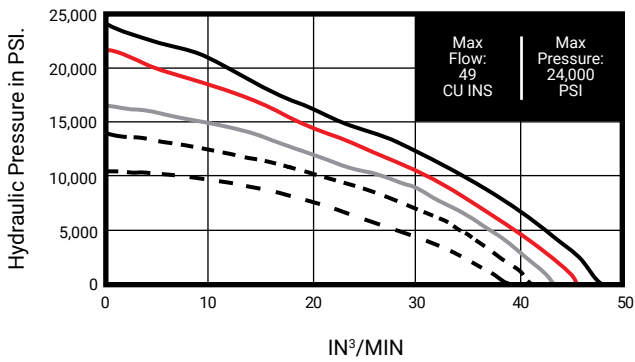


# P830 SERIES

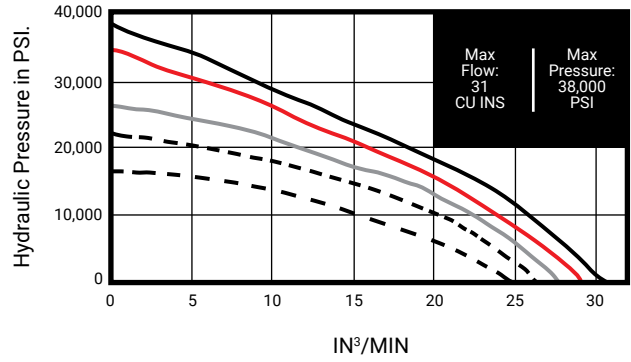
## Performance Guides:



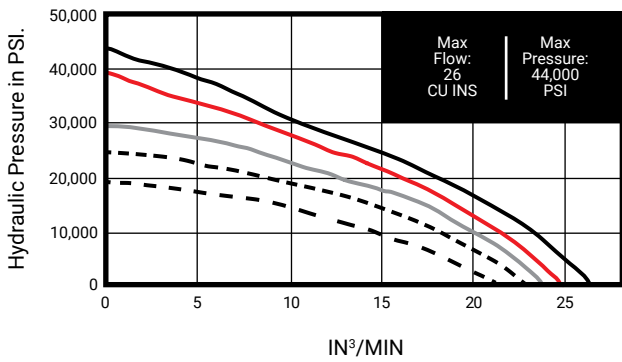
**P830-257** Fluid Flow Against Pressure



**P830-402** Fluid Flow Against Pressure



**P830-465** Fluid Flow Against Pressure



**P830-528** Fluid Flow Against Pressure

