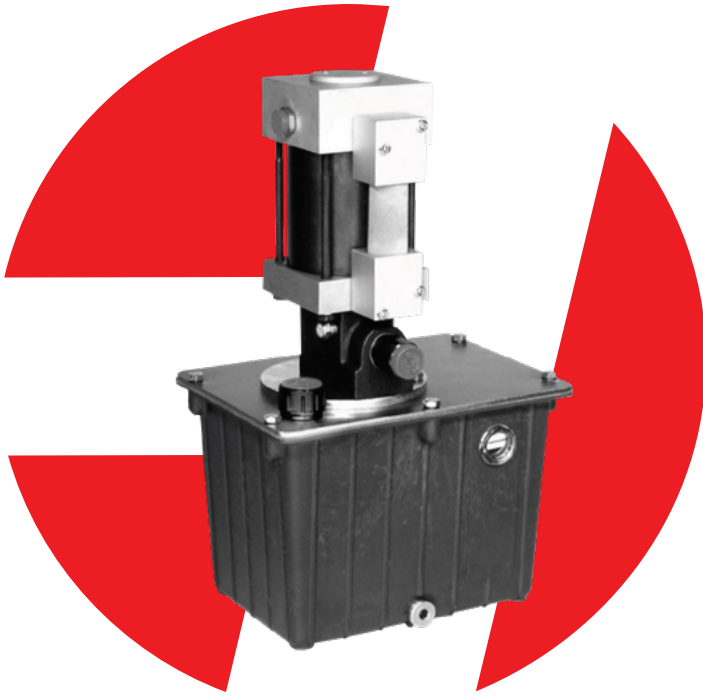


P801 SERIES



P801-42-N-R4

Description

- Single acting pneumatic/single acting hydraulic pump
- Compact
- 6,500 PSI maximum hydraulic pressure
- Up to 2.5 GPM flow
- Available in stainless steel
- Six intensification ratios available

Applications:



Material Handling



Pressure Sustaining



Hazardous Areas



Multi-Fluids & Skydrol



Intermittent Operations



Water Hydraulics*

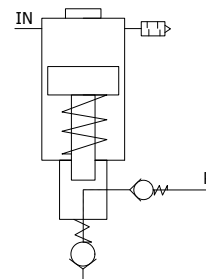


Clamping

*Including deionized or demineralized water.

Schematics

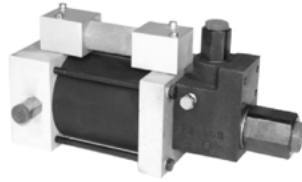
P801



HYDRONIC WARRANTY POLICY: Hydronic, Corp. warrants each product against defects in material and workmanship for a period of 6 months from the date of manufacturing providing its use was in accordance with Hydronic recommendations. If the product fails to perform as warranted, Hydronic will, at its option, repair or replace the product free of charge. The company will not be liable for incidental or consequential damages. We make no other warranty, expressed or implied, including warranties of merchant ability or fitness for a particular purpose.

P801 SERIES

P801
with
2 1/2
Gallon
Tank



P801

Features:

- Six ratios available with reservoirs and sub-plates
- High performance, single acting pump
- Compact and rugged
- Available with or without a reservoir
- Reservoirs available in four sizes of 1/3, 3/4, 1 1/2, 2 1/2
- Can be used with water (INOX version)
- Can be wall mounted, vertically or horizontally, or tank top mounted
- Available in stainless steel
- Can be supplied as a complete system including valves, air preparation, etc.

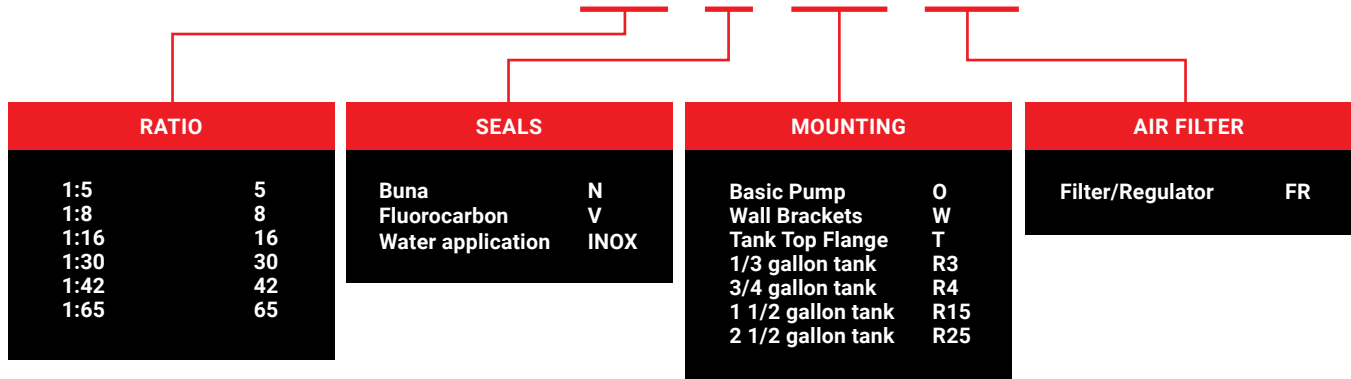
P801 Series P801-5 P801-8 P801-16 P801-30 P801-42 P801-65

Air Pressure PSI (Bar)	20/100 PSI (1 1/2 - 7)					
Nominal Pressure Ratio	1:5	1:8	1:16	1:30	1:42	1:65
Max Oil Pressure PSI (Bar)	500 PSI (35)	800 PSI (55)	1,600 PSI (110)	3,000 PSI (206)	4,200 PSI (290)	6,500 PSI (448)
Flow GPM	2.5 GPM	1.7 GPM	.92 GPM	.52 GPM	.4 GPM	.25 GPM
Weight: Pump Only Lbs (Kg)	8 LBS (3.6)					
Weight: w/ Reservoir Lbs (Kg)	R3: 13 LBS (6) R4: 16 LBS (7) R3: 22.5 LBS (10.5) R4: 25 LBS (11.5)					

NOTE: Always fit an air filter/regulator with 20 micron rating and 30 scfm capacity. Slightly lower ratios can be expected at lower input air pressures.

Ordering Information:

P801-16-N-R4-FR

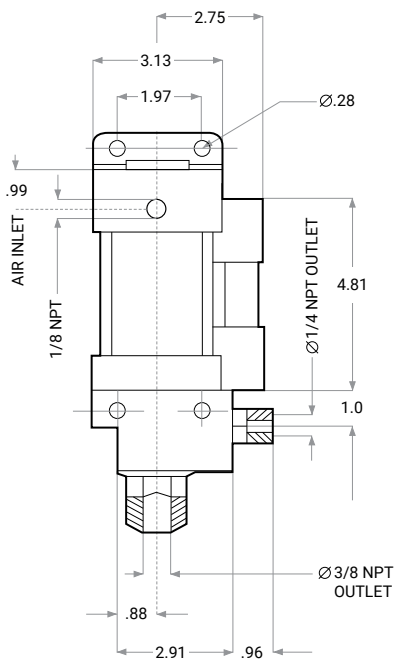
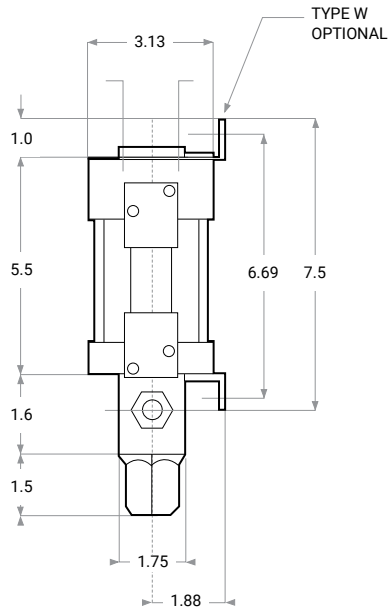


Example Order: P801-16-N-R4-FR = P801 pump with a 1:16 ratio, Buna seals, a 3/4 gallon tank, and an air filter/regulator.

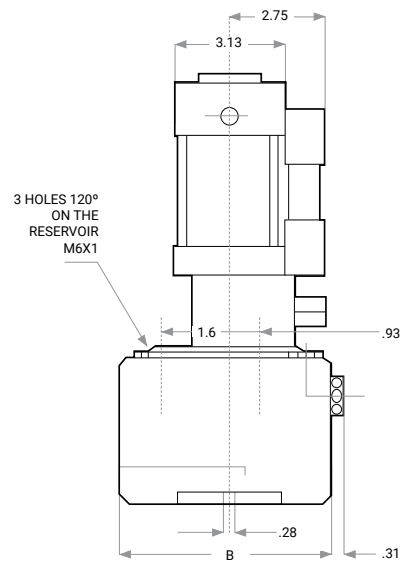
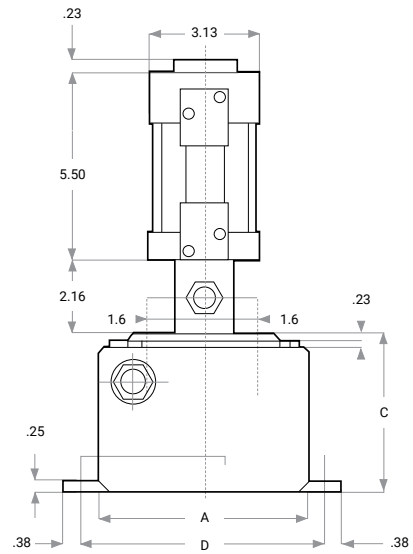
P801 SERIES

Dimensional Data:

Pump Dimension with
Wall Bracket (Type O)

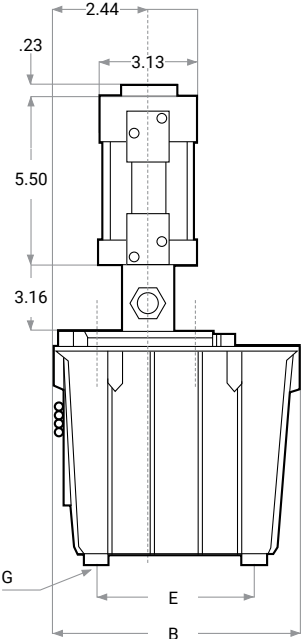
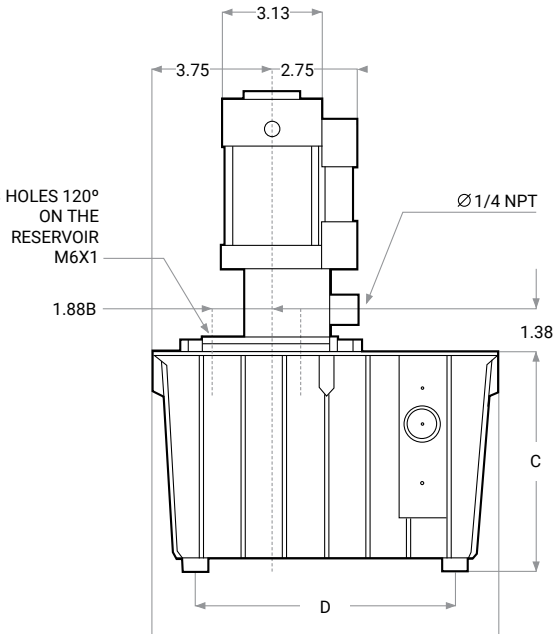


Pump Dimensions with
1/3 Gallon Tank (Type R3)



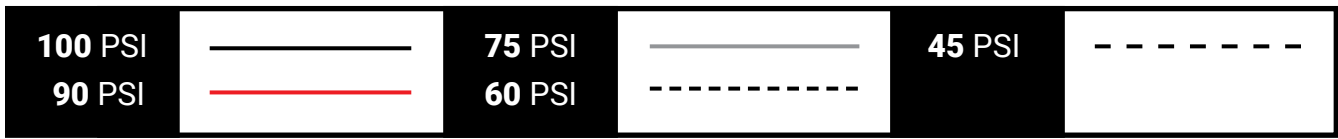
P801 SERIES

Dimensional Data:

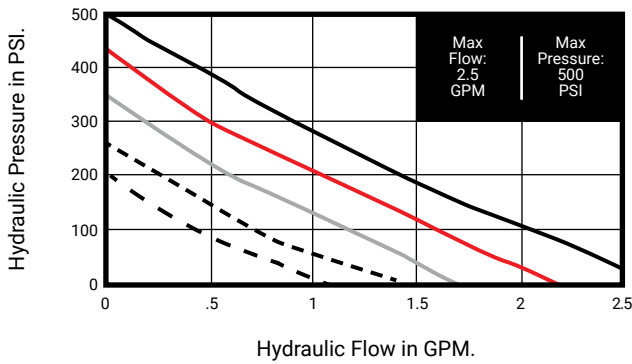
Pump Dimensions with 3/4, 1 1/2, and 2 1/2 Gallon Tanks	Reservoir Capacity	1/3 G (Type R3)	3/4 G (Type R4)	1 1/2 G (Type R15)	2 1/2 G (Type R25)
	A	5.90	8.66	11	13.38
	B	5.90	6.31	6.31	9.75
	C	4.21	6.18	7.25	8.88
	D	7.06	6.50	8.25	9.84
	E	-	6.50	5.13	6.69
	G (x 4)	-	M6	M6	M8

P801 SERIES

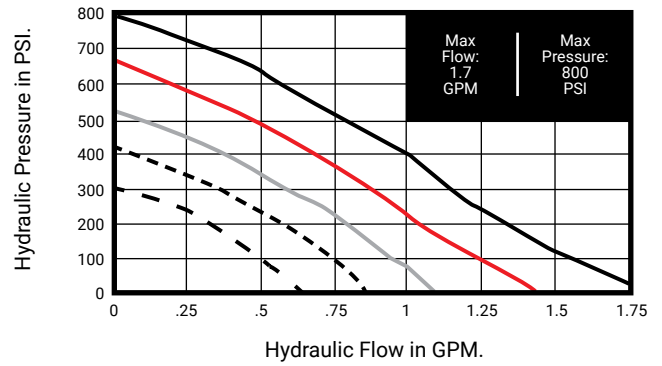
Performance Guides:



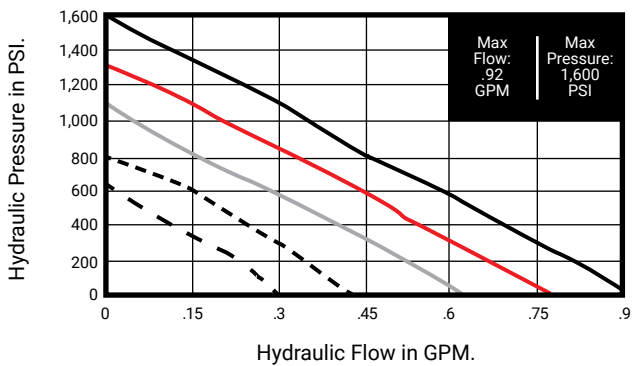
P801-5 Fluid Flow Against Pressure



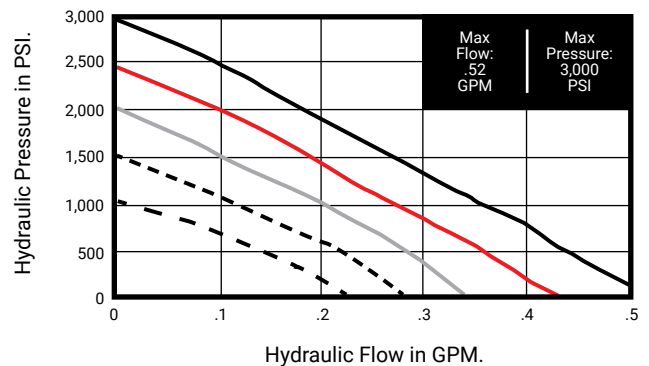
P801-8 Fluid Flow Against Pressure



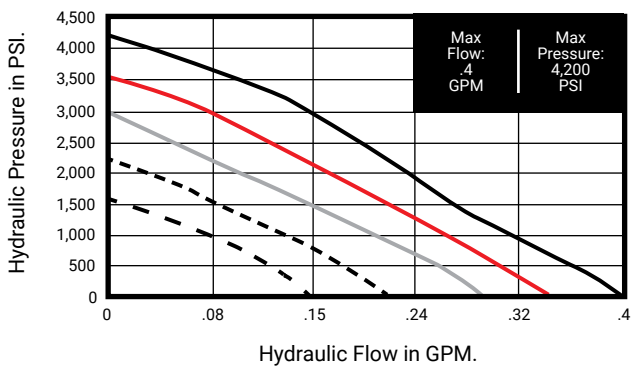
P801-16 Fluid Flow Against Pressure



P801-30 Fluid Flow Against Pressure



P801-42 Fluid Flow Against Pressure



P801-65 Fluid Flow Against Pressure

