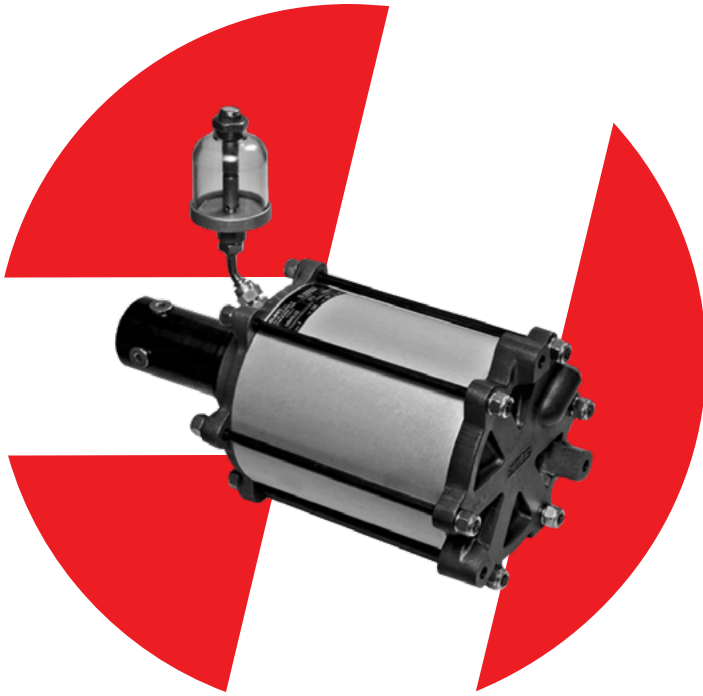


# M845 SERIES



**M845-33-N**

## Applications:



**Workholding**



**High Pressure  
Testing**



**Clamping**



**Hazardous  
Areas**

## Description

- Single acting air-oil booster
- Air is supplied to the pneumatic circuit by means of a 3-way, 2-position air valve, with pneumatic piston return provided by a pair of strong coil springs
- Transparent oil container for easy visual inspection of the oil level
- 10,000 PSI maximum hydraulic pressure
- Cost effective method of developing high-pressure hydraulics
- Four intensification ratios available

**HYDRONIC WARRANTY POLICY:** Hydronic, Corp. warrants each product against defects in material and workmanship for a period of 6 months from the date of manufacturing providing its use was in accordance with Hydronic recommendations. If the product fails to perform as warranted, Hydronic will, at its option, repair or replace the product free of charge. The company will not be liable for incidental or consequential damages. We make no other warranty, expressed or implied, including warranties of merchant ability or fitness for a particular purpose.

# M845 SERIES

## M845



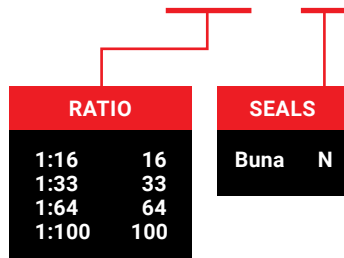
M845 Series	M845-16	M845-33	M845-64	M845-100
Air Pressure PSI (Bar)	30-100 PSI (2 - 7)			
Nominal Pressure Ratio	1:16	1:33	1:64	1:100
Max Oil Pressure PSI (Bar)	1,600 PSI (112)	3,300 PSI (231)	6,400 PSI (448)	10,000 PSI (700)
Oil Volume Cubic Inches (Cubic Centimeters)	8 CU. IN. (137)	3.5 CU. IN. (57)	2 CU. IN. (34)	1 CU. IN. (22)
Standard Booster Weight Lbs (Kg)	33 LBS (15)			

## Features:

- Four multiplication ratios that provide hydraulic pressures from 1,600 to 10,000 PSI
- Oil volume of up to 8 cubic inches
- Versions available for corrosive environments
- Horizontal and vertical mounting capabilities
- Five oil outlets
- Anodized aluminum construction and chromed steel hydraulic piston, which ensures durability and a large number of high-speed cycles
- Booster provides automatic leakage compensation
- Clear oil container that provides easy visual inspection of the oil level

## Ordering Information:

# M845-33-N

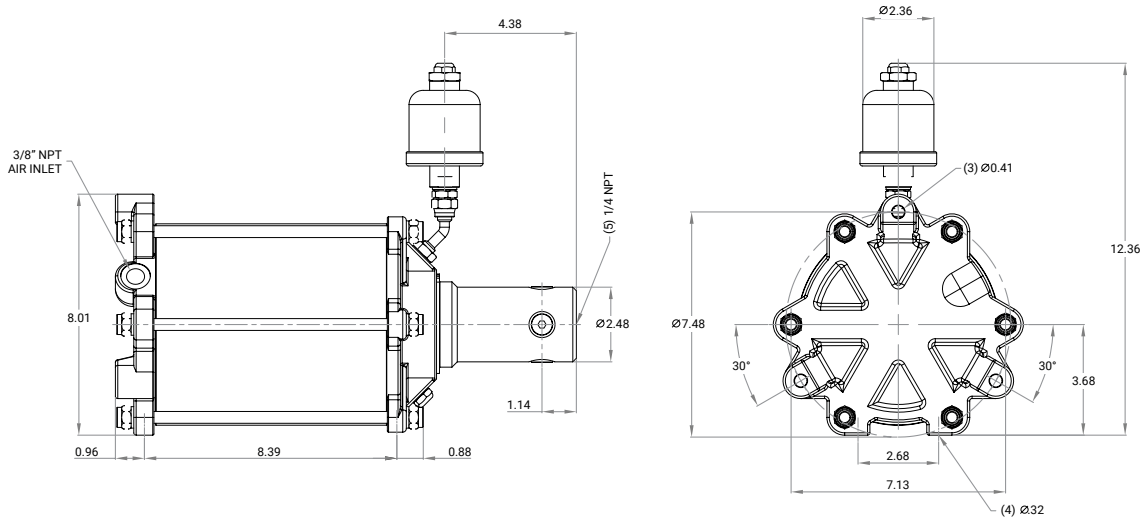


**Example Order:** M845-33-N = M845 air:oil booster with a 1:33 ratio and Buna seals.

# M845 SERIES

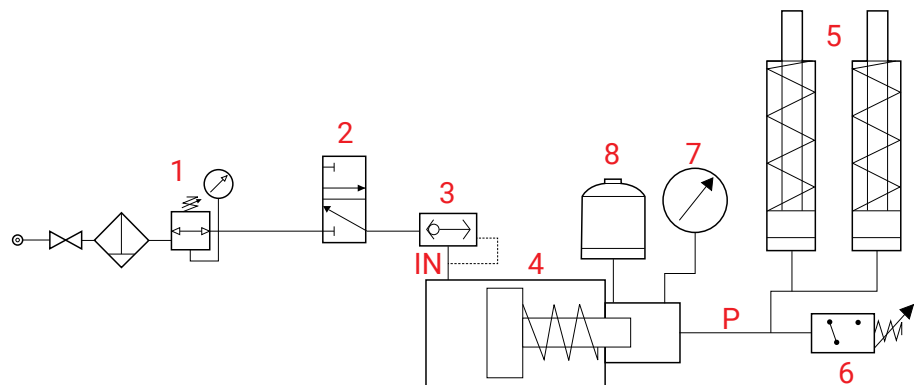
## Dimensional Data:

### M845 Standard



## Application Example

- 1: Filter/regulator
- 2: 3-way, 2-position air valve
- 3: Quick discharge valve
- 4: M845 booster
- 5: Cylinder
- 6: Pressure switch
- 7: Oil pressure gauge
- 8: Oil reservoir
- IN: Booster air inlet line
- P: Oil outlet line



This application allows a line of single acting cylinders to be operated with very fast cycles, with the pressure switch ensuring that the hydraulic pressure remains within the desired range.