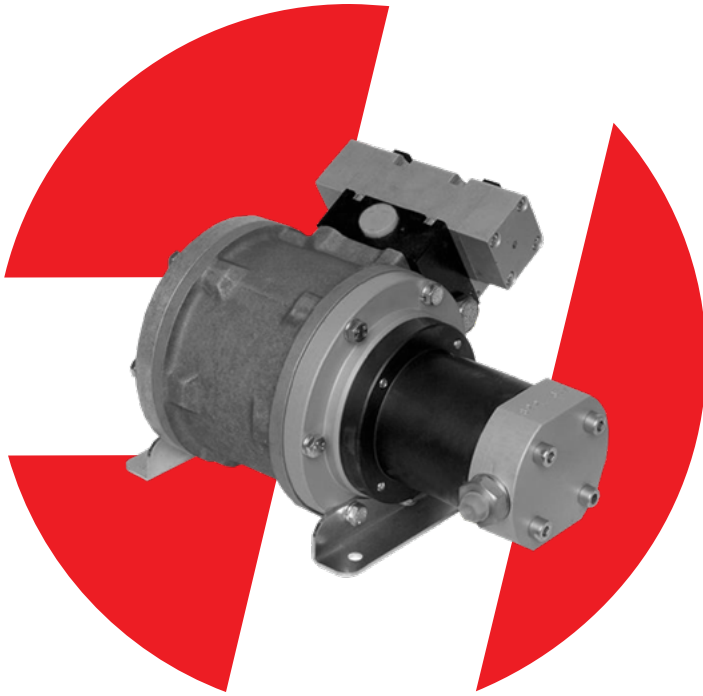


# B822 SERIES



**B822-4-N-W**

## Applications:



Workholding



High Pressure  
Testing



Clamping



Hazardous  
Areas

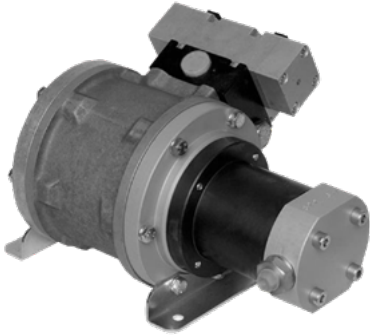
## Description

- Continuous cycle, air-air booster
- Single acting, high-pressure pneumatic pump with a double acting piston
- Raises the inlet pressure according to the chosen multiplication ratio
- Automatically compensates for leaks while maintaining the desired pressure
- Powered by compressed air to compress air or other gases
- 2,030 PSI maximum pressure
- Four intensification ratios available

HYDRONIC WARRANTY POLICY: Hydronic, Corp. warrants each product against defects in material and workmanship for a period of 6 months from the date of manufacturing providing its use was in accordance with Hydronic recommendations. If the product fails to perform as warranted, Hydronic will, at its option, repair or replace the product free of charge. The company will not be liable for incidental or consequential damages. We make no other warranty, expressed or implied, including warranties of merchant ability or fitness for a particular purpose.

# B822 SERIES

## B822

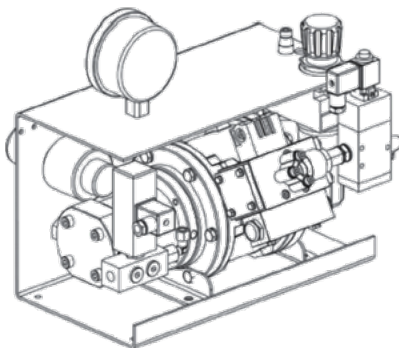


**B822 Series**    **B822-4**    **B822-6.7**    **B822-10.5**    **B822-20**

<b>Air Pressure</b> PSI (Bar)	30 - 100 PSI (2 - 7)			
<b>Nominal Pressure Ratio</b>	1:4	1:6.7	1:10.5	1:20
<b>Max Nominal Pressure</b> PSI (Bar)	406 PSI (28)	682 PSI (47)	1,066 PSI (73.5)	2,030 PSI (140)
<b>Air Consumption</b>	1000 NI/MIN.			
<b>Noise Levels</b>	78-80 dB			
<b>Temperature range</b> °F (°C)	41° - 176° (5° - 80°)			
<b>Standard Booster Weight</b> Lbs (Kg)	26 LBS (12)			

## Features:

- High flow capacity air valve
- Four multiplication ratios that provide pressures from 406 to 2,030 PSI
- 1/2" NPT air drive connection
- 1/4" NPT air pump connections
- Input air pressures from 30 to 100 PSI
- Horizontal and vertical mounting capabilities
- Compact dimensions
- Available for use with air and other gases



## Ordering Information:

# B822-4-N-W

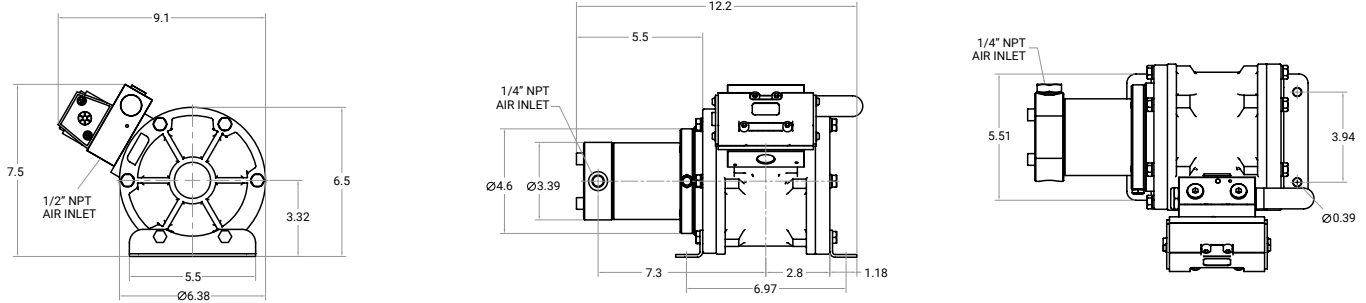
RATIO		SEALS	MOUNTING
1:4	4	Buna N	Wall Brackets W
1:6.7	6.7		No Brackets
1:10.5	10.5		Basic Booster Only O
1:20	20		

**Example Order:** B822-4-N-W = B822 air:air booster with a 1:4 ratio, Buna seals, and wall brackets.

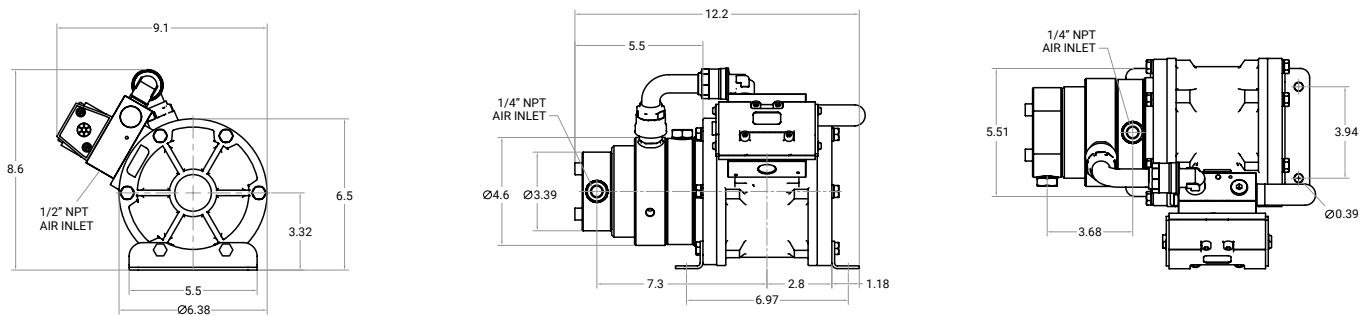
# B822 SERIES

## Dimensional Data:

### Pump Dimensions with Ratios 1:4, 1:6.7, and 1:10.5

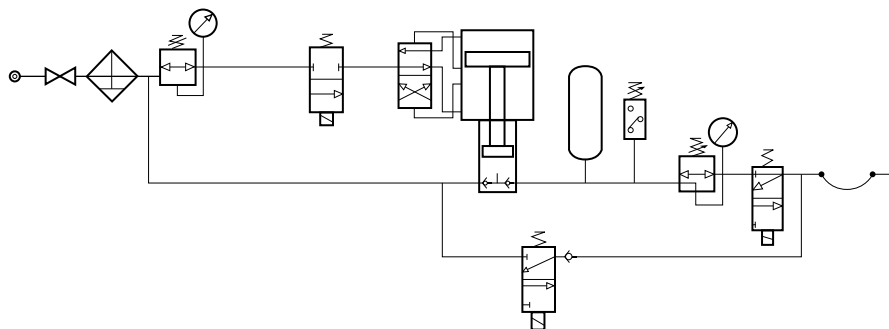


### Pump Dimensions with Ratio 1:20



## Application Example

B822 air-air pump with a filter/regulator, lever-operated control valve, pressure gauge, air pressure regulator, pressure switch, pump control solenoid valve and protective framework, and assembly of all components.

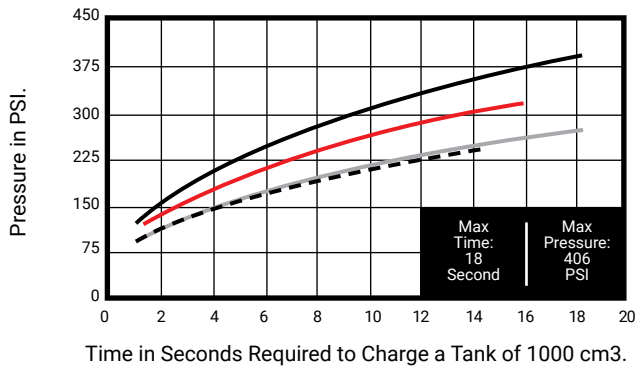


# B822 SERIES

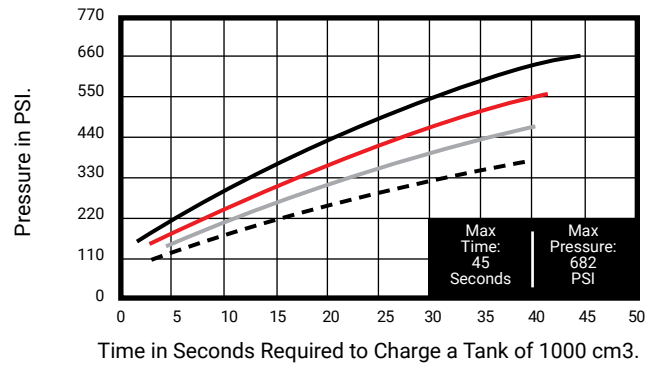
## Performance Guides:



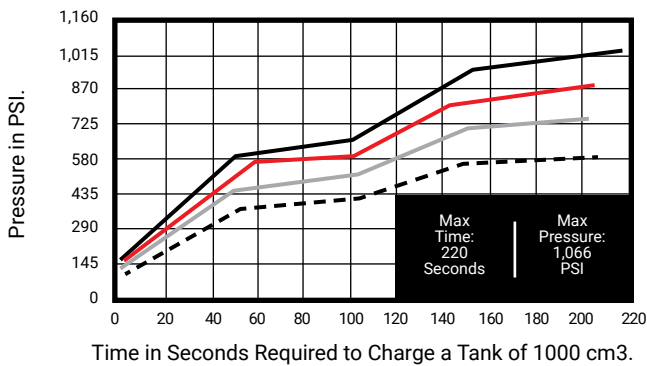
**B822-4** Time Against Pressure



**B822-6.7** Time Against Pressure



**B822-10.5** Time Against Pressure



**B822-20** Time Against Pressure

