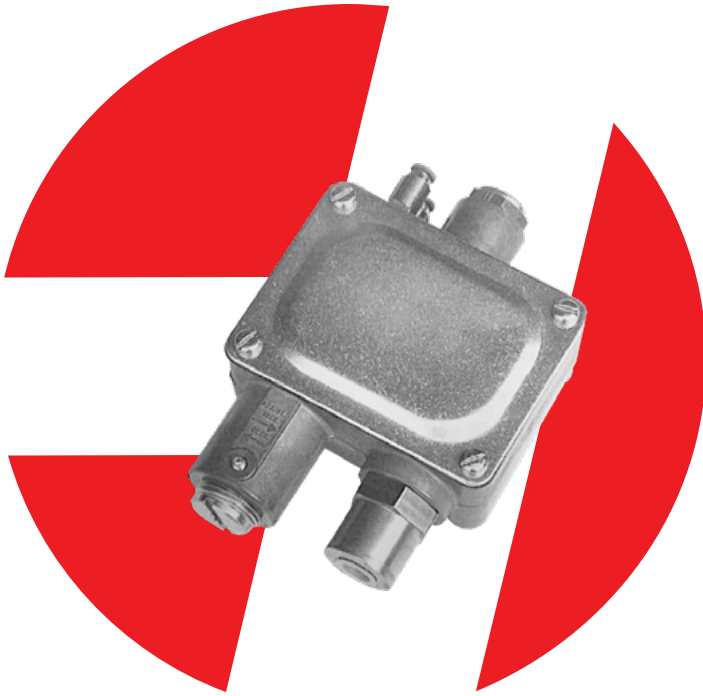


# A880 Pressure Switch



**A880-APS-06-NC Pressure Switch**

## Applications:



**Production Riveting**



**Workholding**



**Clamping**



**Intermittent Operations**



**Portable Equipment**

## Description

- A hydraulic device that sends air signals to other devices once a preset pressure is reached
- Signals can be used to alert operators, to trigger another valve's operation, or to shortcut a circuit to default to a safe condition
- The air signal makes this device particularly useful in environments where an electrical signal would be dangerous
- Normally open and normally closed switches available

HYDRONIC WARRANTY POLICY: Hydronic, Corp. warrants each product against defects in material and workmanship for a period of 6 months from the date of manufacturing providing its use was in accordance with Hydronic recommendations. If the product fails to perform as warranted, Hydronic will, at its option, repair or replace the product free of charge. The company will not be liable for incidental or consequential damages. We make no other warranty, expressed or implied, including warranties of merchant ability or fitness for a particular purpose.

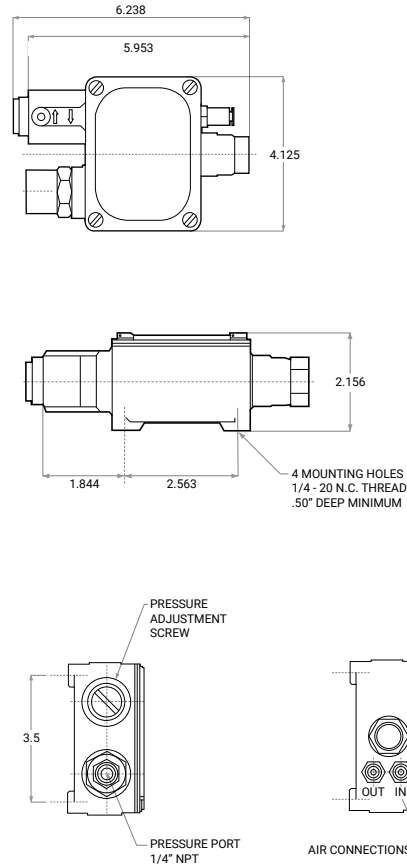
# A880 Pressure Switch



## Features:

- Seven models covering pressures from 40 to 12,000 PSI
- Stainless steel switch body
- Rigid cast metal housing
- External adjustment
- 1/4" NPT oil connection
- Input air pressures of 30 – 120 PSI
- 5/32" OD air tube connections
- Buna O-ring seals
- Normally open and normally closed switches available

## Dimensional Data:



## Ordering Information:

# A880-APS-06-NC

ACCESSORY		PRESSURE RANGES (PSI)		SWITCH	
Air Pressure Switch	APS	01	40 – 250	Normally Closed	NC
		02	60 – 500	Normally Closed	NO
		03	115 – 1,500		
		04	240 – 3,000		
		05	240 – 5,000		
		06	815 – 10,000		
		12	815 – 12,000		

**Example Order:** A880-APS-06-NC = A880 air operated pressure switch with an 815 to 10,000 PSI pressure range and a normally closed switch.