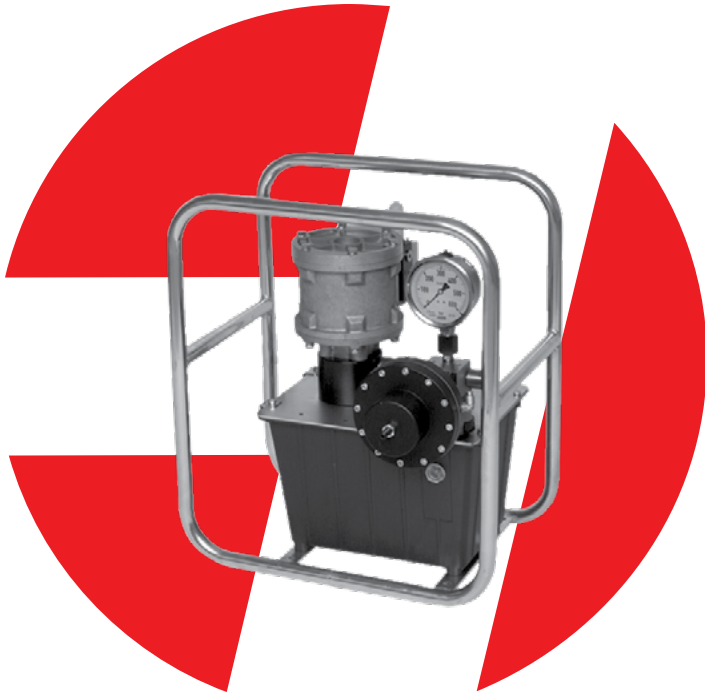


P826 SERIES



P826A-120-N-R25 with Protective Frame

Applications:



Material Handling



Pressure Sustaining



Filter Presses



Tire Presses



Multi-Fluids & Skydrol



Portable Equipment



Intermittent Operations



Hazardous Areas



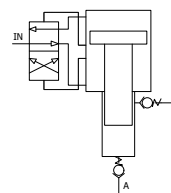
Clamping

Description

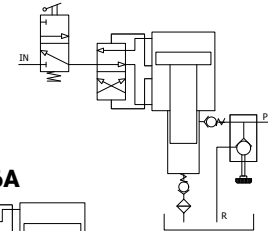
- Available with wall brackets for line mounting; flanges for tank mounting.
- ATEX Certified (II 2GD cIIB TX)
- 26,500 PSI Maximum hydraulic pressure.
- Double acting pneumatic/single acting hydraulic.
- 5 intensification ratios.

Schematics

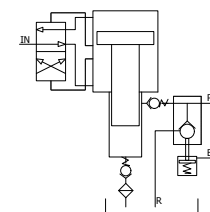
P826



P826M



P826A



HYDRONIC WARRANTY POLICY: Hydronic, Corp. warrants each product against defects in material and workmanship for a period of 6 months from the date of manufacturing providing its use was in accordance with Hydronic recommendations. If the product fails to perform as warranted, Hydronic will, at its option, repair or replace the product free of charge. The company will not be liable for incidental or consequential damages. We make no other warranty, expressed or implied, including warranties of merchant ability or fitness for a particular purpose.

P826 SERIES



P826M
with 2 1/2 Gallon Tank



P826A
with 2 1/2 Gallon Tank

P826 Series P826-65 P826-80 P826-120 P826-170 P826-265

Air Pressure PSI (Bar)	20/100 PSI (1 1/2 - 7)				
Nominal Pressure Ratio	1:65	1:80	1:120	1:170	1:265
Max Oil Pressure PSI (Bar)	6,500 PSI (450)	8,000 PSI (545)	12,000 PSI (827)	17,000 PSI (1,172)	26,500 PSI (1,827)
Flow CI/MIN	115 CI/MIN	112 CI/MIN	73 CI/MIN	53 CI/MIN	40 CI/MIN
Weight: Pump Only Lbs (Kg)	25 LBS (11.3)				

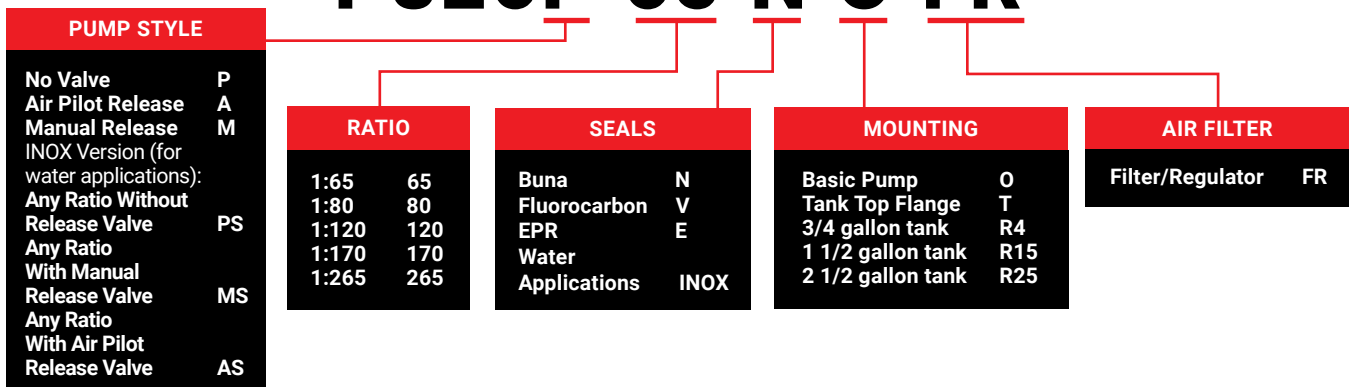
Features:

- Five ratios available with reservoirs.
- High performance, double-acting pneumatic drive section.
- Excellent for high pressure fluid power or clamping circuits.
- Wall brackets for line mounting, flanges for tank mounting.
- Reservoirs available in three sizes of 3/4, 1 1/2, and 2 1/2 gallons, others available on request.
- Pressure release valve option, manual and air operated.
- No directional valves are needed for single acting actuators.
- Models available for water applications.
- Ultra-high-pressure ratings are excellent for material and hydrostatic testing.

NOTE: Always fit an air filter/regulator with 20 micron rating and 30 scfm capacity.

Ordering Information:

P826P-65-N-O-FR

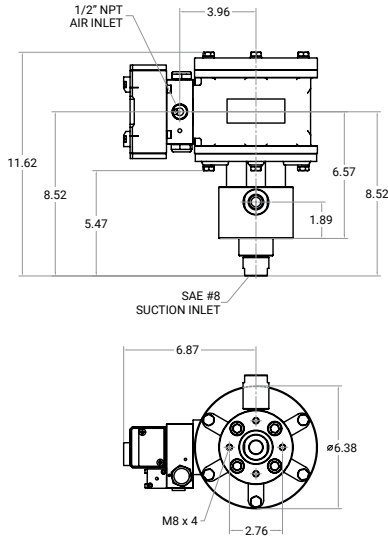


Example Order: P826P-65-N-O-FR = P826 pump without valve, a 1:65 ratio, Buna seals, a basic pump, and an air filter/regulator.

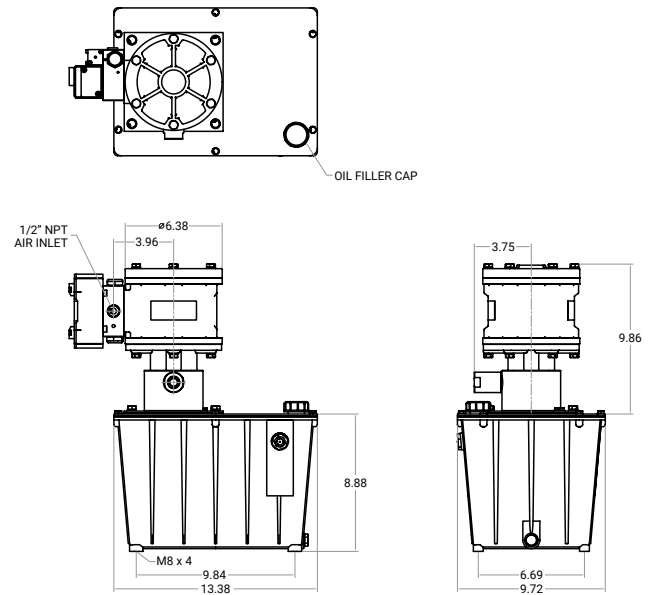
P826 SERIES

Dimensional Data:

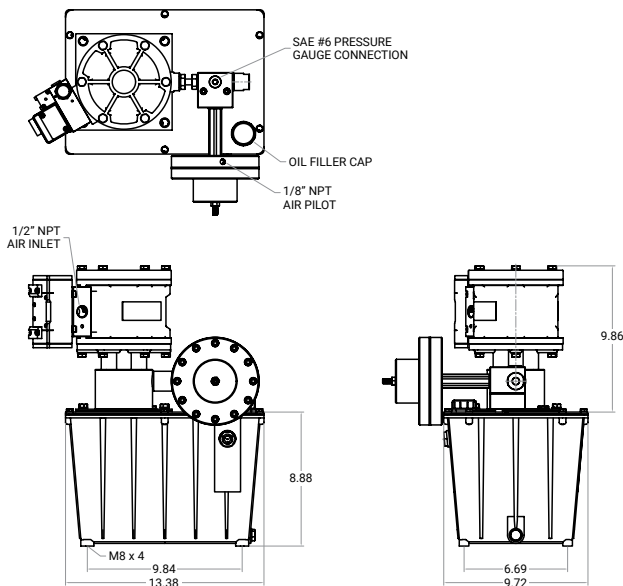
Pump Dimensions without Reservoir (Type O)



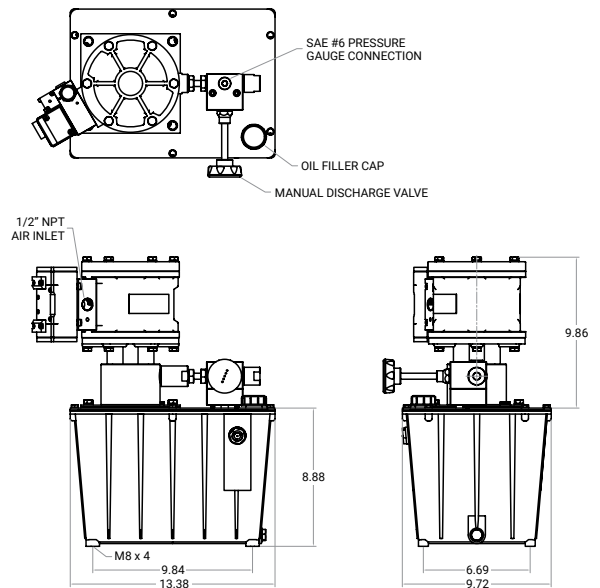
Pump Dimensions with 2 1/2 Gallon Tank (Type R25)



Pump Dimensions with Air Piloted Release Valve 2 1/2 Gallon Tank (Type R25)



Pump Dimensions with Manual Release Valve 2 1/2 Gallon Tank (Type R25)

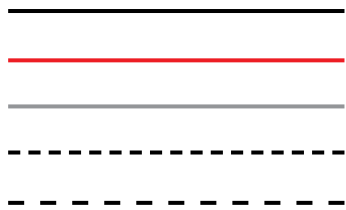


P826 SERIES

Performance Guides:

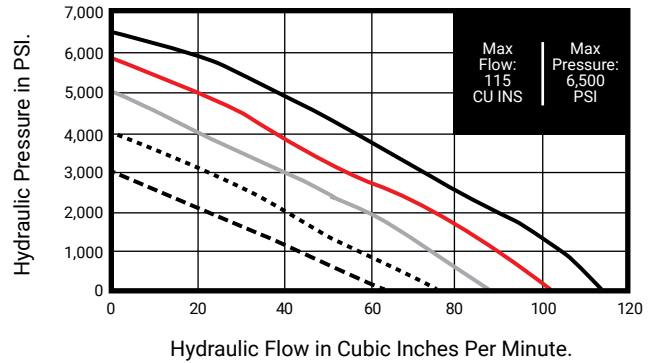
AIR PRESSURE:

100 PSI
90 PSI
75 PSI
60 PSI
45 PSI



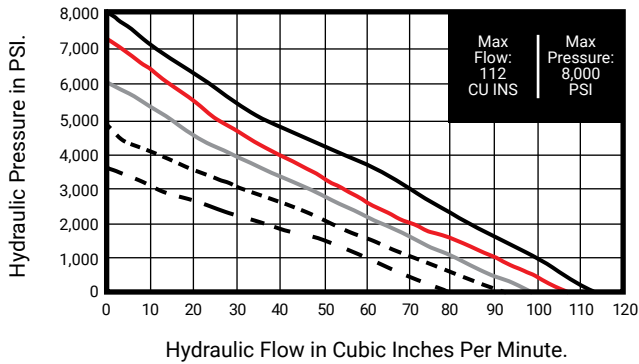
P826-65

Fluid Flow Against Pressure



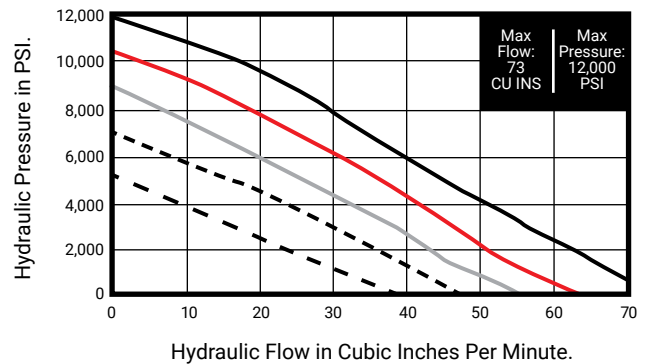
P826-80

Fluid Flow Against Pressure



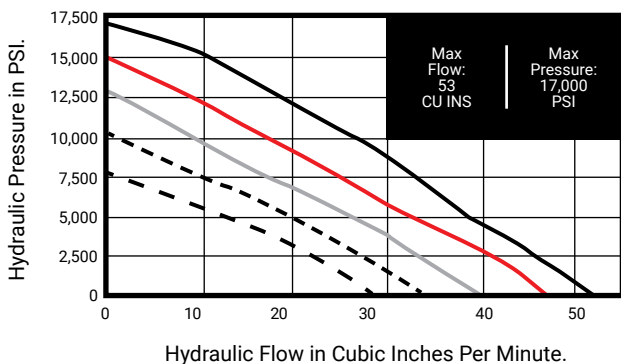
P826-120

Fluid Flow Against Pressure



P826-170

Fluid Flow Against Pressure



P826-265

Fluid Flow Against Pressure

