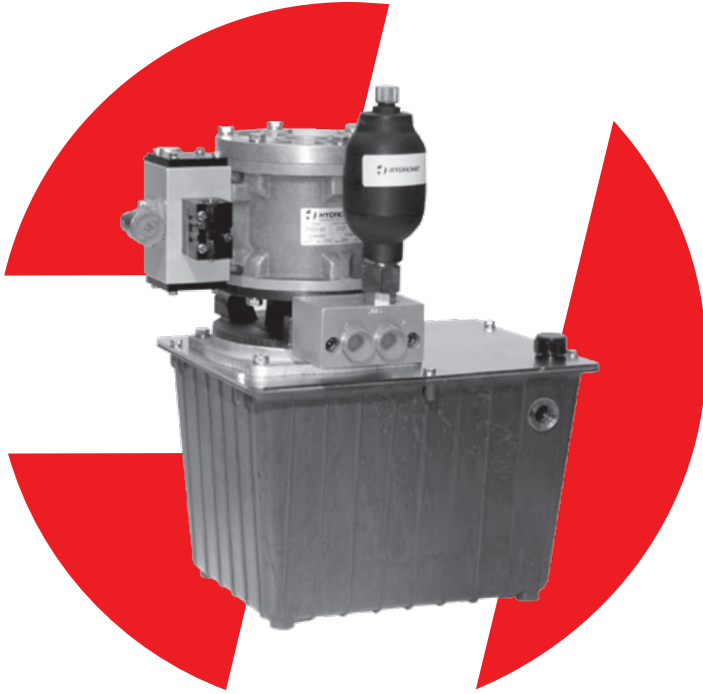


# P820 SERIES



**P820-10-N-R25-M with Smoothing Kit**

## Description

- Double acting pneumatic/double acting hydraulic.
- ATEX Certified (II 2GD cIIB TX)
- 4,000 PSI Maximum hydraulic pressure.
- Up to 6 GPM flow.
- Five intensification ratios available.
- Smoothing kits available.
- Air Pilot Release

## Applications:



**Material Handling**



**Pressure Sustaining**



**Hazardous Areas**



**Multi-Fluids & Skydrol**



**Intermittent Operations**



**Portable Equipment**



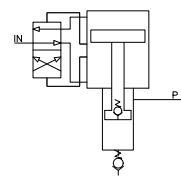
**Clamping**



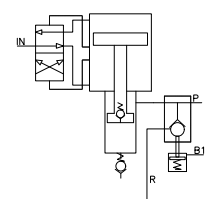
**Workholding**

## Schematics

**P820**



**P820A**



**HYDRONIC WARRANTY POLICY:** Hydronic, Corp. warrants each product against defects in material and workmanship for a period of 6 months from the date of manufacturing providing its use was in accordance with Hydronic recommendations. If the product fails to perform as warranted, Hydronic will, at its option, repair or replace the product free of charge. The company will not be liable for incidental or consequential damages. We make no other warranty, expressed or implied, including warranties of merchant ability or fitness for a particular purpose.

# P820 SERIES

**P820**  
with  
2 1/2  
Gallon  
Tank



**P820**  
with  
D03  
Sub  
Plate



P820 Series P820-5 P820-10 P820-20 P820-30 P820-40

Air Pressure PSI (Bar)	20 -100 PSI (1.4 to 7)				
Nominal Pressure Ratio	1:5	1:10	1:20	1:30	1:40
Max Oil Pressure PSI (Bar)	500 PSI (35)	1,000 PSI (69)	2,000 PSI (138)	3,000 PSI (206)	4,000 PSI (275)
Flow GPM	6 GPM	4 GPM	2 GPM	1.5 GPM	1 GPM
Weight: Pump Only Lbs (Kg)	44 LBS (20)		33 LBS (15)		

## Features:

- Five ratios available with reservoirs and sub-plates.
- High performance, double-acting pneumatic drive section.
- High flow rates at medium to low hydraulic pressure.
- Can mount vertically or horizontally.
- Reservoirs available in eight sizes of 1/2, 1, 2 1/2, 3, 5, 8, 10, and 20 gallon.
- Air operation means intrinsically safe use in hazardous areas and applications.
- SAE ported manifold with pressure and return connection.
- Installation of directional control valves with D03 pattern sub plate.
- Complete units with directional control valves, pressure switches, accumulators, pressure gauges, etc. are available.

**NOTE:** Always fit an air filter/regulator with 20 micron rating and 30 scfm capacity.

## Ordering Information:

# P820A-20-N-R50-O-FR

PUMP STYLE	
No Valve	P
Air Pilot Release	A

RATIO	
1:5	5
1:10	10
1:20	20
1:30	30
1:40	40

SEALS	
Buna	N
Fluorocarbon	V
EPR	E
Water App	INOX

MOUNTING	
Basic Pump	O
Wall Brackets	W
Tank Top Mounting	T
Vertical Reservoir, .5 gal/1 gal	N/NL
Horizontal Reservoir, .5 gal/1gal	H/HL
2 1/2 gallon tank	R25
3 gallon tank	R30
5 gallon tank	R50
8 gallon tank	R80
10 gallon tank	R100
20 gallon tank	R200

AIR FILTER	
Filter/Regulator	FR

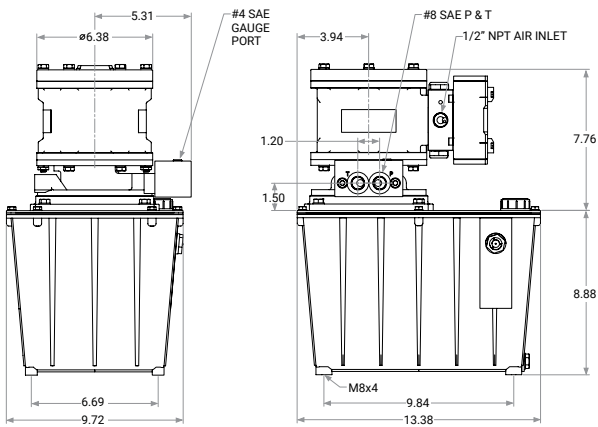
FLUID CONNECTIONS	
Basic Pump Only	O
Port Block, front entry, #8 SAE	P
PRV Port Block, front entry, #8 SAE	PA
Port Block, side entry, #8 SAE	SP
Smoothing Kit Block, #8 SAE	M
D03 single station, #6 SAE	DH
D03 two station, #6 SAE	DH2

**Example Order:** P820-20-N-R50-DH-FR = P820 pump with a 1:20 ratio, Buna seals, a 5 gallon tank, a basic single station D03 manifold, and an air filter/regulator.

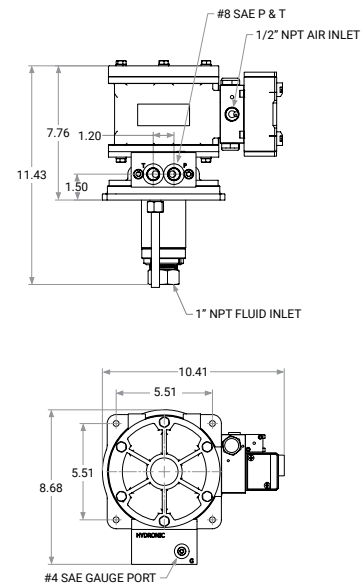
# P820 SERIES

## Dimensional Data:

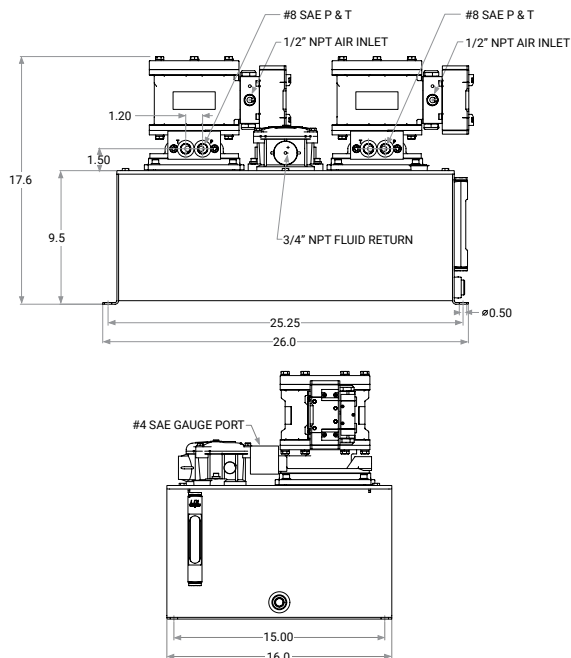
Pump Dimensions with  
2 1/2 Gallon Tank (Type R25)



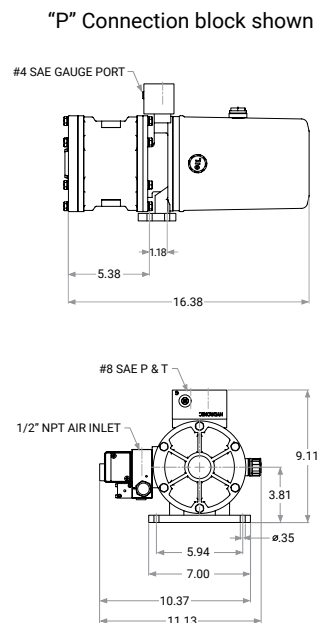
Pump Dimensions for  
Tank Top Mounting (T Option)



Pump Dimensions with  
10 Gallon Tank (Type R100)



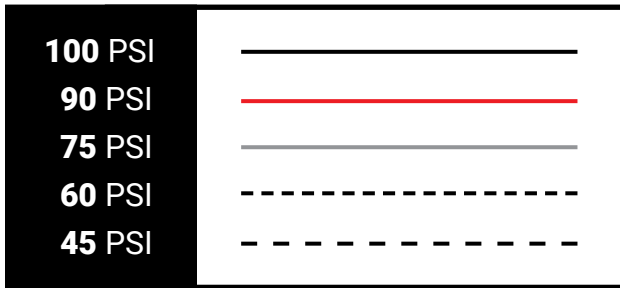
Pump Dimensions with  
Standard Tank (Type H or N)



# P820 SERIES

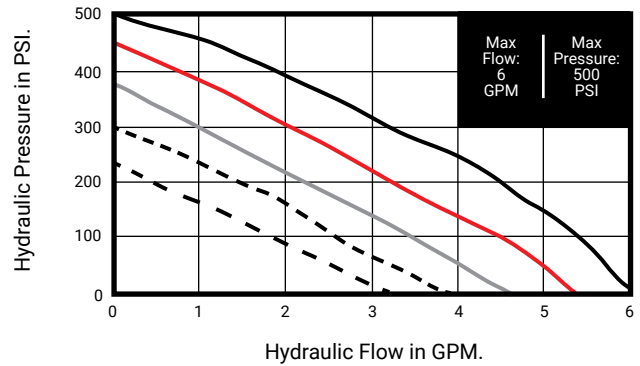
## Performance Guides:

### AIR PRESSURE:



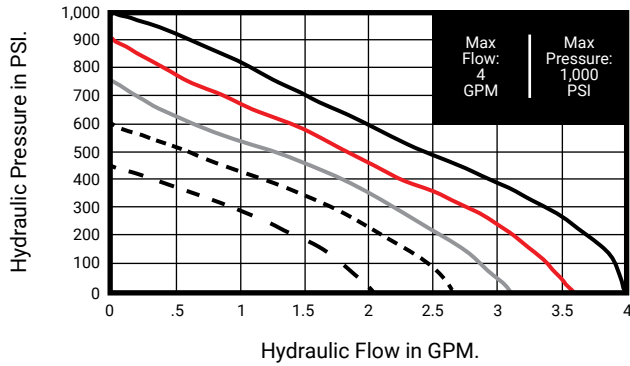
### P820-5

#### Fluid Flow Against Pressure



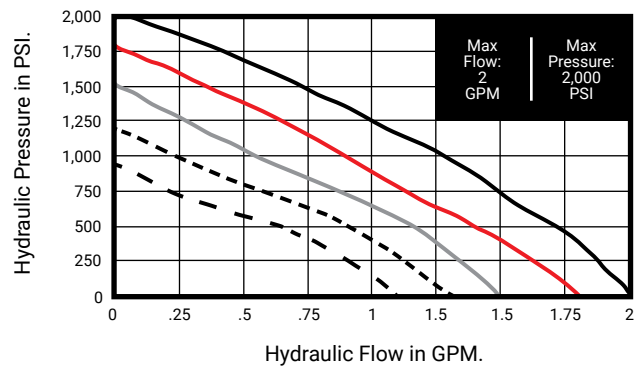
### P820-10

#### Fluid Flow Against Pressure



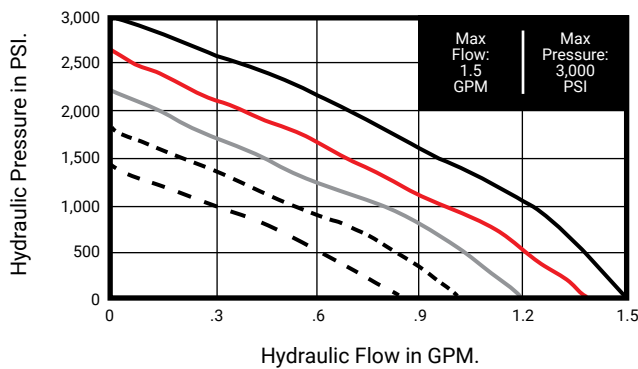
### P820-20

#### Fluid Flow Against Pressure



### P820-30

#### Fluid Flow Against Pressure



### P820-40

#### Fluid Flow Against Pressure

