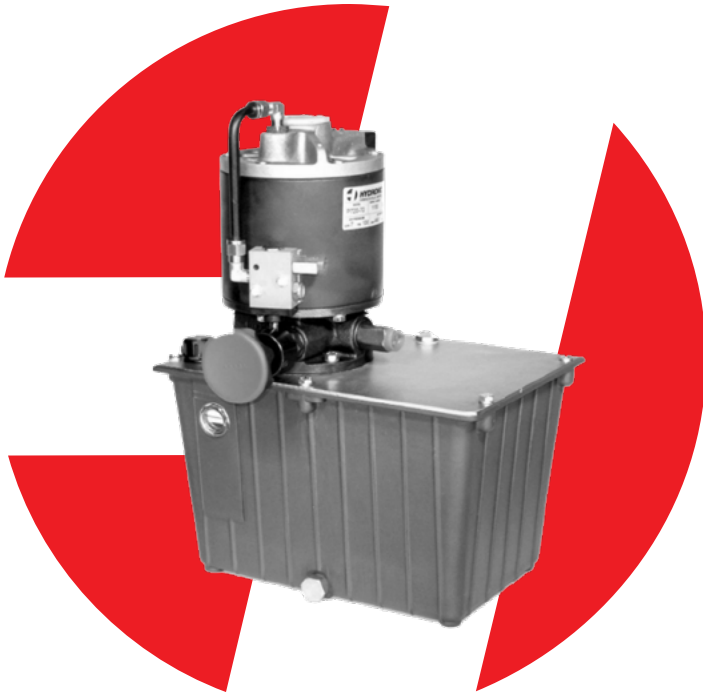


P720 SERIES



P720M-10-N-R25

Applications:



Material Handling



Pressure Sustaining



Hazardous Areas



Multi-Fluids & Skydrol



Intermittent Operations

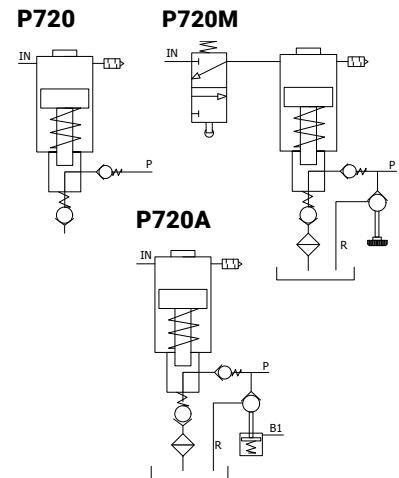


Clamping

Description

- Single acting pneumatic/single acting hydraulic.
- Ideal for operating single acting hydraulic cylinders.
- 10,000 PSI maximum hydraulic pressure.
- Can be controlled by means of a hand wheel on the pump (P720M version) or with pneumatic remote control (P720A version.)
- 5 intensification ratios available
- Up to 2 GPM flow

Schematics



HYDRONIC WARRANTY POLICY: Hydronic, Corp. warrants each product against defects in material and workmanship for a period of 6 months from the date of manufacturing providing its use was in accordance with Hydronic recommendations. If the product fails to perform as warranted, Hydronic will, at its option, repair or replace the product free of charge. The company will not be liable for incidental or consequential damages. We make no other warranty, expressed or implied, including warranties of merchant ability or fitness for a particular purpose.

P720 SERIES



Features:

- Five ratios available with reservoirs and sub-plates.
- Pumps come without a release valve (P720P), with a manual pressure release valve (P720M), or with an air pilot pressure release valve (P720A).
- All models either wall mounted or tank mounted versions.
- Reservoirs available in four sizes of 1/3, 3/4, 1 1/2 and 2 1/2 gallon capacities.
- Complete power units for single acting systems. No directional valves needed.
- Seals available for brake fluid and other synthetic oils.
- Release valves are ideal for manual use and with air pilot for remote or automated operations.

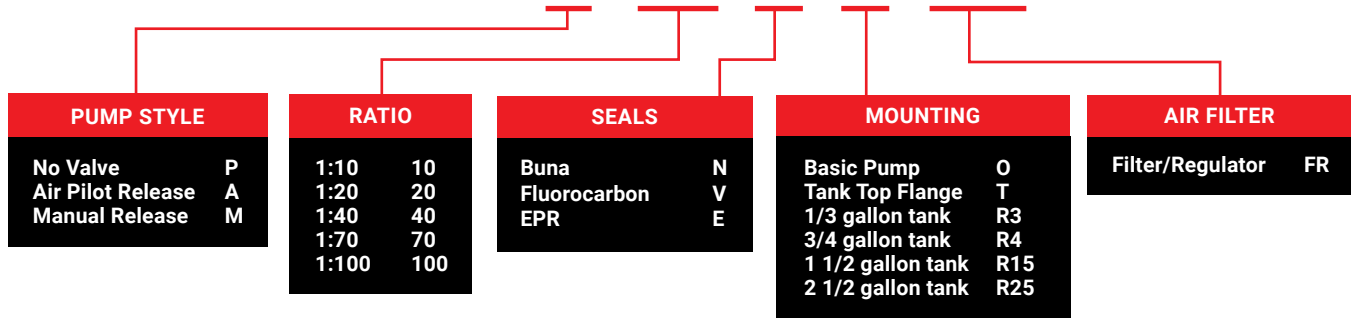
P720 Series P720-10 P720-20 P720-40 P720-70 P720-100

Air Pressure PSI (Bar)	20/100 PSI (1 1/2 - 7)				
Nominal Pressure Ratio	1:10	1:20	1:40	1:70	1:100
Max Oil Pressure PSI (Bar)	1,000 PSI (69)	2,000 PSI (138)	4,000 PSI (275)	7,000 PSI (483)	10,000 PSI (690)
Flow GPM	2 GPM	1.1 GPM	.68 GPM	.45 GPM	.32 GPM
Weight: Pump Only Lbs (Kg)	17 LBS (7.7)				
Weight: w/ Reservoir Lbs (Kg)	R3: 22.5 LBS (10) R4: 23 LBS (10.5) R3: 27 LBS (12.3) R4: 29 LBS (13.2)				

NOTE: Always fit an air filter/regulator with 20 micron rating and 30 scfm capacity. Slightly lower ratios can be expected at lower input air pressures.

Ordering Information:

P720P-10-N-O-FR



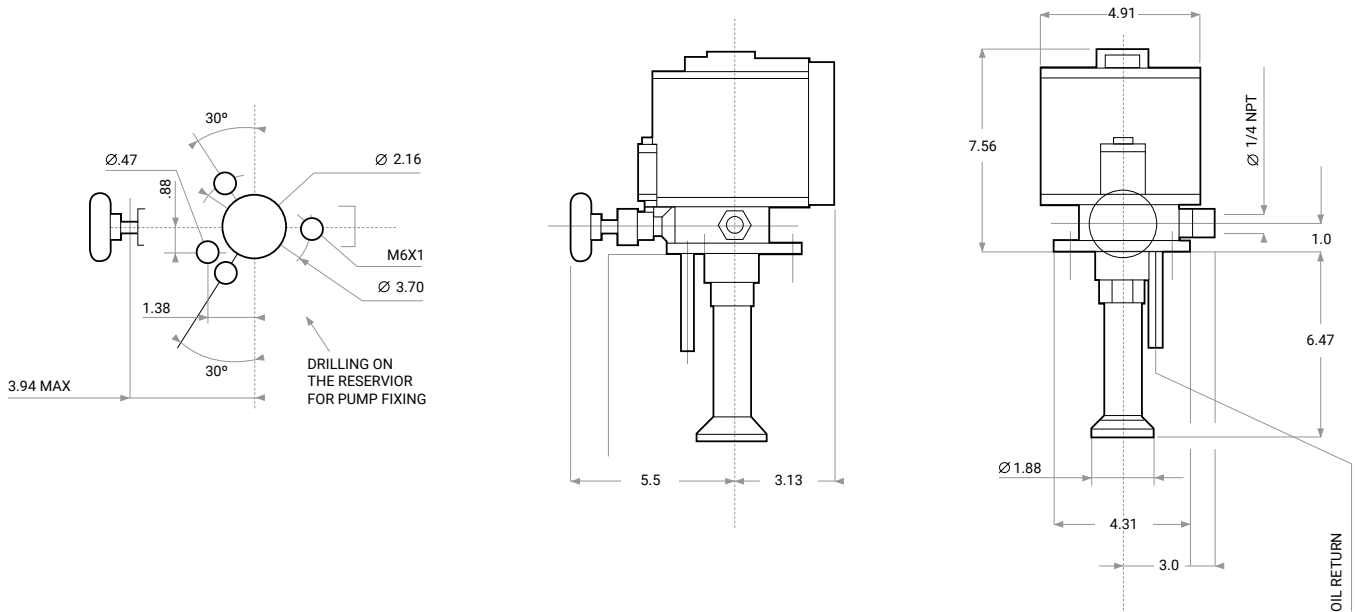
Ratio will be less when the air pressure is lower than 100 psi.

Example Order: P720P-10-N-O-FR = P720 pump with no valve, a 1:10 ratio, Buna seals, a basic pump, and an air filter/regulator.

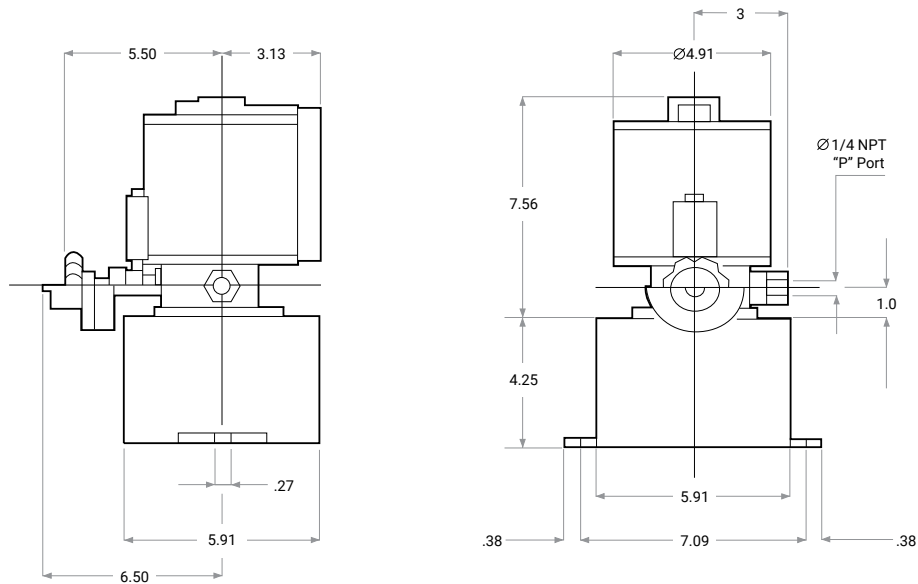
P720 SERIES

Dimensional Data:

Pump Dimensions without Reservoir (Type 0)



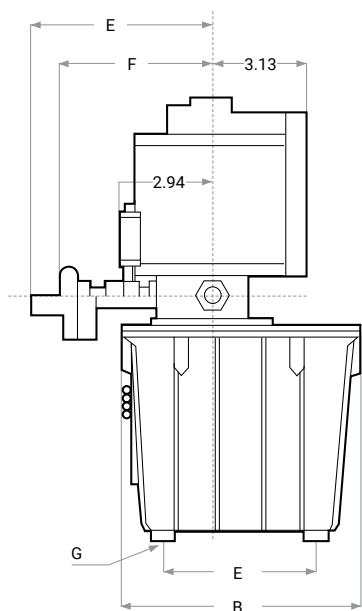
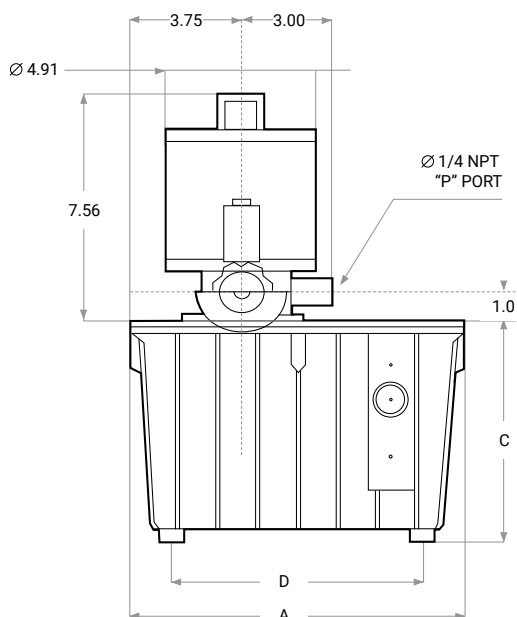
Pump Dimensions with 1/3 Gallon Tank (Type R3)



P720 SERIES

Dimensional Data:

Pump Dimensions with 3/4, 1 1/2, and 2 1/2 Gallon Tanks

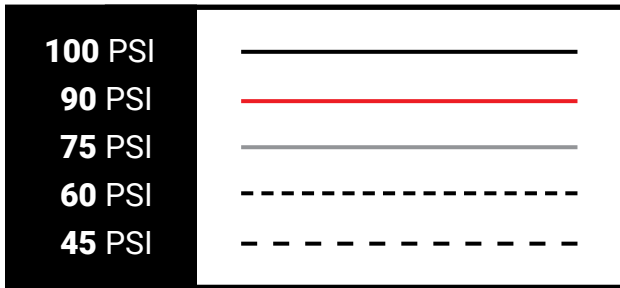


	Reservoir Capacity	3/4 G (Type R4)	1 1/2 G (Type R15)	2 1/2 G (Type R25)
A		8.63	11	13.38
B		6.31	7.88	9.75
C		6.18	7.21	8.88
D		6.50	8.25	9.84
E		6.50	6.50	6.50
F		5.50	5.50	5.50
G (x 4)		M6	M6	M8

P720 SERIES

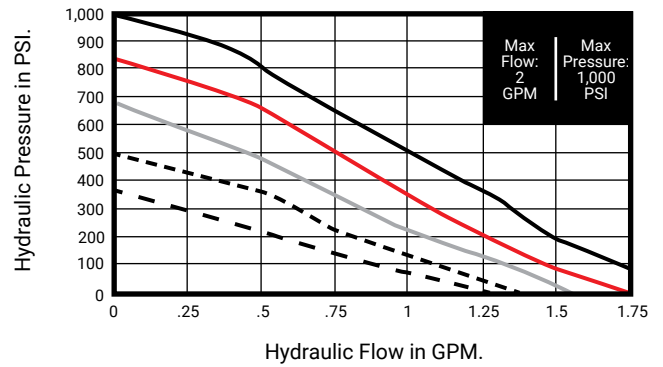
Performance Guides:

AIR PRESSURE:



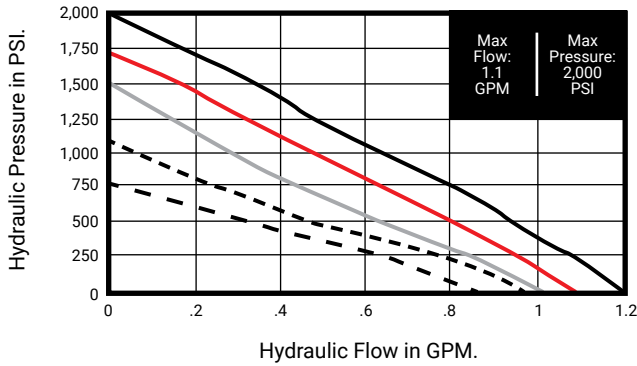
P720-10

Fluid Flow Against Pressure



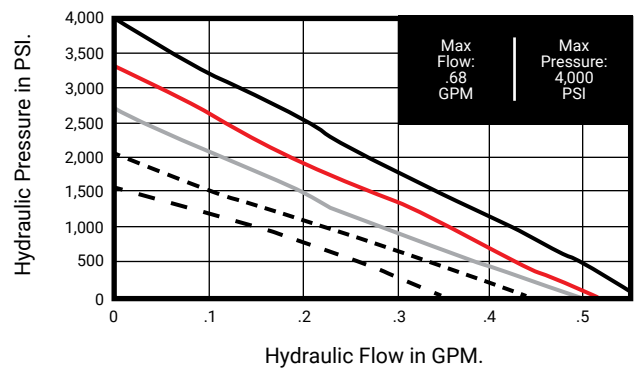
P720-20

Fluid Flow Against Pressure



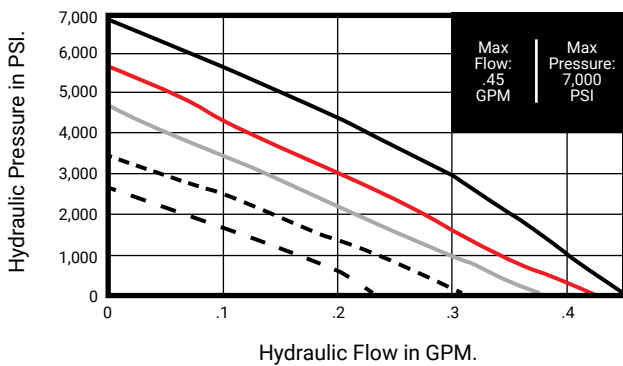
P720-40

Fluid Flow Against Pressure



P720-70

Fluid Flow Against Pressure



P720-100

Fluid Flow Against Pressure

